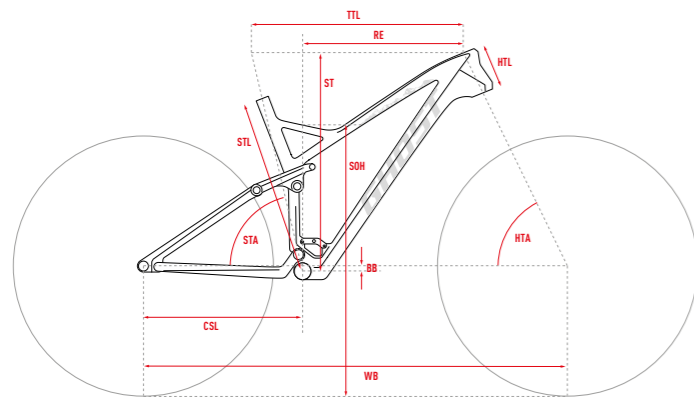
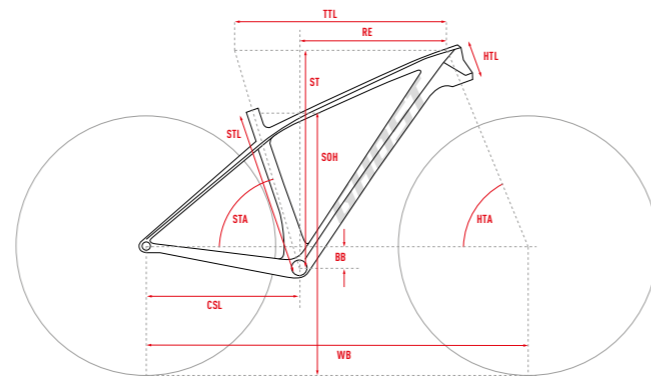


GEOMETRY AND DATA CHARTS

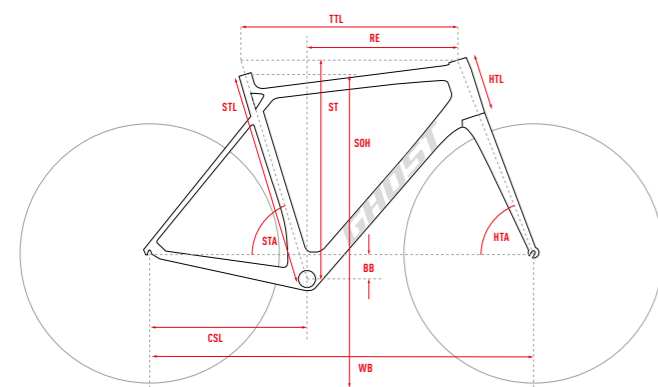
// FULLY



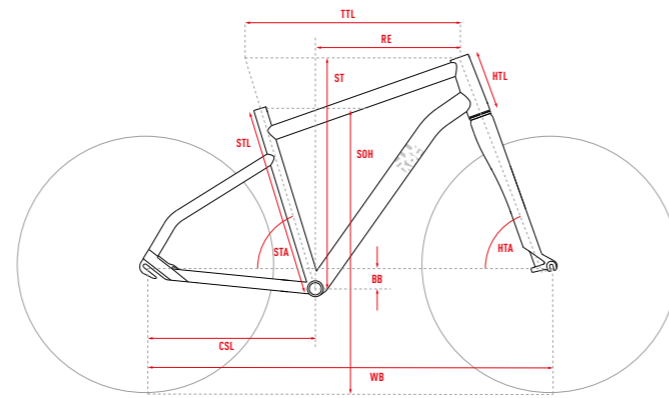
// HARDTAIL



// LANES/ROAD



// LANES



STL SEAT TUBE LENGTH
SITZROHRLÄNGE

CSL CHAINSTAY LENGTH
KETTENSTREBELÄNGE

TTL TOP TUBE LENGTH
OBERROHRLÄNGE

HEAD SET DIAMETER (UPPER / LOWER)
STEUERSATZDURCHMESSER (OBEN / UNTEN)

STEM LENGTH
VORBAULÄNGE

HANDLEBAR WIDTH
LENKERBREITE

CRANK LENGTH
KURBELLENGE

HTL HEADTUBE LENGTH
STEUERROHRLÄNGE

HTA HEADTUBE ANGLE
STEUERROHRWINKEL

STA SEATTUBE ANGLE
SITZROHRWINKEL

SEAT POST DIAMETER
SÄTTELSTÜTZENDURCHMESSER

FRONT FORK TRAVEL
FEDERWEG VORNE

REAR WHEEL TRAVEL
FEDERWEG HINTEN

SHOCK LENGTH
DÄMPFEREINBAULÄNGE

BB BB DROP
TRETLAGERABSENKUNG

WB WHEELBASE
RADSTAND

ST STACK
STACK

SHOCK TRAVEL
DÄMPFERHUB

SHOCK HARDWARE (Ø 8MM)
DÄMPFERBUCHSENMASSE (Ø 8MM)

MIN SADDLE HEIGHT
MIN SÄTTELHÖHE

MAX SADDLE HEIGHT
MAX SÄTTELHÖHE

RE REACH
REACH

SOH STANDOVER HEIGHT
ÜBERSTANDSHÖHE

MIN INSEAM
MIN SCHRITTLÄNGE

MAX INSEAM
MAX SCHRITTLÄNGE

AXLE STANDARD (REAR / FRONT)
ACHSENSTANDARD (HINTEN / VORNE)

BOTTOM BRACKET STANDARD
TRETLAGERSTANDARD

ALL DIMENSIONS IN MM (EXCEPT HTA AND STA IN °)

ALLE MASSE IN MM (AUSNAHME HTA UND STA IN °)

// FULLY

	STL	CSL	TTL	HTL	HTA	STA	BB	WB	ST	RE	SOH												
HAMR X AL 27.5+																							
S	420	438	565	110	67	75.5	-38	1144	614	406	729	ZS44/ZS56	148/110	Pinion	31.6	30/30	210	55	140	140	50	800	175
M	460	438	590	120	67	75.5	-38	1171	623	429	738	ZS44/ZS56	148/110	Pinion	31.6	30/30	210	55	140	140	50	800	175
L	500	438	615	120	67	75.5	-38	1196	623	454	752	ZS44/ZS56	148/110	Pinion	31.6	30/30	210	55	140	140	50	800	175
HAMR 8 LC 27.5+																							
S	420	438	567	100	67.5	75	-33	1136	614	401	728	ZS44/ZS56	148/110	Pressfit 92	31.6	30/30	210	50	140	130	55	760	175
M	460	438	593	105	67.5	75	-33	1162	617	425	733	ZS44/ZS56	148/110	Pressfit 92	31.6	30/30	210	50	140	130	55	760	175
L	480	438	619	110	67.5	75	-33	1188	623	449	755	ZS44/ZS56	148/110	Pressfit 92	31.6	30/30	210	50	140	130	55	760	175
XL	500	438	653	120	67.5	75	-33	1221	633	479	773	ZS44/ZS56	148/110	Pressfit 92	31.6	30/30	210	50	140	130	55	760	175
HAMR 6 AL 27.5+																							
S	420	438	567	100	67.5	75	-33	1136	614	401	731	ZS44/ZS56	148/110	Pressfit 92	31.6	30/30	210	50	140	130	55	760	175
M	460	438	593	105	67.5	75	-33	1162	617	425	742	ZS44/ZS56	148/110	Pressfit 92	31.6	30/30	210	50	140	130	55	760	175
L	480	438	619	110	67.5	75	-33	1188	623	449	744	ZS44/ZS56	148/110	Pressfit 92	31.6	30/30	210	50	140	130	55	760	175
XL	500	438	653	120	67.5	75	-33	1221	633	479	776	ZS44/ZS56	148/110	Pressfit 92	31.6	30/30	210	50	140	130	55	760	175
FRAMR 8 LC 27.5																							
S	440	430	583	110	66.5	73	+2	1140	596	400	745	ZS44/ZS56	142/110	Pressfit 92	31.6	30/22.2	216	63	170	160	35	800	175
M	470	430	609	120	66.5	73	+2	1167	606	423	760	ZS44/ZS56	142/110	Pressfit 92	31.6	30/22.2	216	63	170	160	35	800	175
L	500	430	635	130	66.5	73	+2	1193	615	445	795	ZS44/ZS56	142/110	Pressfit 92	31.6	30/22.2	216	63	170	160	35	800	175
FRAMR 6 AL 27.5																							
S	440	430	583	110	66.5	73	+2	1140	596	400	744	ZS44/ZS56	142/110	Pressfit 92	31.6	30/22.2	216	63	170	160	35	780	175
M	460	430	609	120	66.5	73	+2	1167	606	423	760	ZS44/ZS56	142/110	Pressfit 92	31.6	30/22.2	216	63	170	160	35	780	175
L	480	430	635	130	66.5	73	+2	1193	615	445	778	ZS44/ZS56	142/110	Pressfit 92	31.6	30/22.2	216	63	170	160	35	780	175
XL	500	430	652	140	66.5	73	+2	1209	625	458	793	ZS44/ZS56	142/110	Pressfit 92	31.6	30/22.2	216	63	170	160	35	780	175
PATHRIOT 10, 8 UC 27.5																							
S	440	425	585	120	66.5	75.5	-11	1162	619	425	735	ZS44/ZS56	142/110	Pressfit 92	31.6	25.4/16	200	57	170	150	35	800	170
M	460	425	605	130	66.5	75.5	-11	1184	628	443	755	ZS44/ZS56	142/110	Pressfit 92	31.6	25.4/16	200	57	170	150	35	800	170
L	480	425	625	140	66.5	75.5	-11	1205	637	460	775	ZS44/ZS56	142/110	Pressfit 92	31.6	25.4/16	200	57	170	150	35	800	170
RIOT 10, 8 UC 27.5																							
S	440	430	590	110	67	73	-3	1130	590	407	735	IS42/IS52	142/110	Pressfit 92	31.6	25.4/16	190	51	150	130	50	760	175
M	480	430	615	120	67	73	-3	1155	600	427	755	IS42/IS52	142/110	Pressfit 92	31.6	25.4/16	190	51	150	130	50	760	175
L	520	430	640	130	67	73	-3	1182	610	450	782	IS42/IS52	142/110	Pressfit 92	31.6	25.4/16	190	51	150	130	50	760	175
SLAMR X 9 LC 29																							
S	420	438	569	100	67	74	-30	1140	617	396	740	ZS44/ZS56	148/110	Pressfit 92	31.6	30/30	210	55	150	140	50	800	175
M	460	438	595	105	67	74	-30	1166	622	420	745	ZS44/ZS56	148/110	Pressfit 92	31.6	30/30	210	55	150	140	50	800	175
L	480	438	621	110	67	74	-30	1191	627	444	767	ZS44/ZS56	148/110	Pressfit 92	31.6	30/30	210	55	150	140	50	800	175
XL	500	438	655	120	67	74	-30	1225	636	474	785	ZS44/ZS56	148/110	Pressfit 92	31.6	30/30	210	55	150	140	50	800	175
SLAMR X 8 LC 27.5																							
S	440	430	580	110	67	73.5	-8	1133	592	406	735	ZS44/ZS56	142/110	Pressfit 92	31.6	30/22.2	200	57	150	145	50	760	175
M	470	430	606	120	67	73.5	-8	1159	601	429	750	ZS44/ZS56	142/110	Pressfit 92	31.6	30/22.2	200	57	150	145	50	760	175
L	500	430	632	130	67	73.5	-8	1185	611	441	785	ZS44/ZS56	142/110	Pressfit 92	31.6	30/22.2	200	57	150	145	50	760	175
SLAMR X 6 AL 29																							
S	420	438	569	100	67	74	-30	1140	617	396	743	ZS44/ZS56	148/110	Pressfit 92	31.6	30/30	210	55	150	140	45	780	175
M	460	438	595	105	67	74	-30	1166	622	420	754	ZS44/ZS56	148/110	Pressfit 92	31.6	30/30	210	55	150	140	45	780	175
L	480	438	621	110	67	74	-30	1191	627	444	756	ZS44/ZS56	148/110	Pressfit 92	31.6	30/30	210	55	150	140	45	780	175
XL	500	438	655	120	67	74	-30	1225	636	474	788	ZS44/ZS56	148/110	Pressfit 92	31.6	30/30	210	55	150	140	45	780	175
SLAMR X 5 AL 27.5																							
S	440	430	580	110	67	73.5	-8	1133	592	406	734	ZS44/ZS56	142/110	Pressfit 92	31.6	30/22.2	200	57	150	145	45	760	175
M	460	430	606	120	67	73.5	-8	1159	601	429	750	ZS44/ZS56	142/110	Pressfit 92	31.6	30/22.2	200	57	150	145	45	760	175
L	480	430	632	130	67	73.5	-8	1185	611	441	768	ZS44/ZS56	142/110	Pressfit 92	31.6	30/22.2	200	57	150	145	45	760	175
XL	500	430	648	140	67	73.5	-8	1202	620	463	783	ZS44/ZS56	142/110	Pressfit 92	31.6	30/22.2	200	57	150	145	45	760	175
SLAMR 9, 6 LC 27.5																							
S	440	430	576	110	68	74.5	-16	1126	585	416	725	ZS44/ZS56	142/110	Pressfit 92	31.6	30/22.2	200	51	130	130	60	760	175
M	470	430	602	120	68	74.5	-16	1152	594	438	740	ZS44/ZS56	142/110	Pressfit 92	31.6	30/22.2	200	51	130	130	60	760	175
L	500	430	628	130	68																		

// WOMEN / HARDTAIL

	STL	CSL	TTL	HTL	HTA	STA	BB	WB	ST	RE	SOH																	
LANAO 7 AL 29																												
S	400	455	586	110	69.5	73	-65	1114	623	395	687	ZS44/ZS44	135/100	BSA 68	31.6	/	/	/	/	100	/	75	680	170				
M	440	455	601	110	69.5	73	-65	1129	623	410	707	ZS44/ZS44	135/100	BSA 68	31.6	/	/	/	/	100	/	75	680	170				
LANAO 5, 4, 3, 2, 1 AL 29																												
S	400	455	586	110	69.5	73	-65	1114	623	395	677	ZS44/ZS44	135/100	BSA 68	31.6	/	/	/	/	100	/	75	680	170				
M	440	455	601	110	69.5	73	-65	1129	623	410	690	ZS44/ZS44	135/100	BSA 68	31.6	/	/	/	/	100	/	75	680	170				
LANAO 5, 4, 3, 2, 1 AL 27.5																												
XXS	320	435	541	100	69	73	-40	1052	575	365	623	ZS44/ZS44	135/100	BSA 68	31.6	/	/	/	/	100	/	60	680	170				
XS	360	435	564	110	69	73	-40	1075	585	385	648	ZS44/ZS44	135/100	BSA 68	31.6	/	/	/	/	100	/	75	680	170				
S	400	435	582	120	69	73	-40	1094	585	400	678	ZS44/ZS44	135/100	BSA 68	31.6	/	/	/	/	100	/	75	680	170				
LANAO 7 AL 27.5																												
XS	360	435	564	110	69	73	-40	1075	585	385	648	ZS44/ZS44	135/100	BSA 68	31.6	/	/	/	/	100	/	75	680	170				
S	400	435	582	120	69	73	-40	1094	585	400	674	ZS44/ZS44	135/100	BSA 68	31.6	/	/	/	/	100	/	75	680	170				
LANAO 1 AL 26																												
XXS	340	425	558	115	71	73.5	-35	1030	575	377	615	ZS44/ZS44	135/100	BSA 68	31.6	/	/	/	/	100	/	60	680	170				
XS	380	425	560	125	71	73.5	-35	1040	585	385	645	ZS44/ZS44	135/100	BSA 68	31.6	/	/	/	/	100	/	60	680	170				
S	420	425	570	135	71	73.5	-35	1050	595	390	660	ZS44/ZS44	135/100	BSA 68	31.6	/	/	/	/	100	/	75	680	170				

// WOMEN / LANES

	STL	CSL	TTL	HTL	HTA	STA	BB	WB	ST	RE	SOH																	
SQUARE TREKKING 8, 6, 4, 2, 1 AL WOMAN 28																												
XS	420	455	560	150	70.5	73	-60	1073	629	368	630	ZS44/ZS56	135/100	BSA 68	31.6	/	/	/	/	50	/	90	660	175				
S	470	455	575	155	70.5	72	-60	1076	634	369	625	ZS44/ZS56	135/100	BSA 68	31.6	/	/	/	/	50	/	90	660	175				
M	520	455	590	170	70.5	72	-60	1091	648	379	625	ZS44/ZS56	135/100	BSA 68	31.6	/	/	/	/	50	/	90	660	175				
L	560	455	610	185	70.5	72	-60	1112	662	395	625	ZS44/ZS56	135/100	BSA 68	31.6	/	/	/	/	50	/	90	660	175				
SQUARE URBAN (X) 7, 6, 3 AL WOMAN 28																												
XS	420	455	560	150	70.5	73	-60	1073	629	368	630	ZS44/ZS56	135/100	BSA 68	31.6	/	/	/	/	/	/	80	700	170				
S	470	455	575	155	70.5	72	-60	1076	634	369	625	ZS44/ZS56	135/100	BSA 68	31.6	/	/	/	/	/	/	80	700	170				
M	520	455	590	170	70.5	72	-60	1091	648	379	625	ZS44/ZS56	135/100	BSA 68	31.6	/	/	/	/	/	/	80	700	170				
L	560	455	610	185	70.5	72	-60	1112	662	395	625	ZS44/ZS56	135/100	BSA 68	31.6	/	/	/	/	/	/	80	700	170				
SQUARE CROSS (X) 7, 6, 5, 4, 3, 2 AL WOMAN 28																												
XS	420	455	560	150	70.5	73	-60	1073	629	368	630	ZS44/ZS56	135/100	BSA 68	31.6	/	/	/	/	60	/	60	680	170				
S	470	455	575	155	70.5	72	-60	1076	634	369	625	ZS44/ZS56	135/100	BSA 68	31.6	/	/	/	/	60	/	60	680	170				
M	520	455	590	170	70.5	72	-60	1091	648	379	625	ZS44/ZS56	135/100	BSA 68	31.6	/	/	/	/	60	/	60	680	170				
L	560	455	610	185	70.5	72	-60	1112	662	395	625	ZS44/ZS56	135/100	BSA 68	31.6	/	/	/	/	60	/	60	680	170				

// WOMEN / HYBRIDES / FULLY

	STL	CSL	TTL	HTL	HTA	STA	BB	WB	ST	RE	SOH																
HYBRIDE LANAO FS 8, 6, 4 AL 27.5+																											
XS	380	455	559	100	67.5	75.5	-20	1154	597	405	729	ZS44/ZS56	148/110	/	31.6	30/30	210	55	140	140	45	740	170				
S	400	455	574	105	67.5	75.5	-20	1170	602	418	729	ZS44/ZS56	148/110	/	31.6	30/30	210	55	140	140	45	740	170				
M	440	455	592	110	67.5	75.5	-20	1188	607	435	745	ZS44/ZS56	148/110	/	31.6	30/30	210	55	140	140	45	740	170				

// WOMEN / HYBRIDES / HARDTAIL

	STL	CSL	TTL	HTL	HTA	STA	BB	WB	ST	RE	SOH																
HYBRIDE LANAO 8,6 AL 27.5+																											
XS	360	443	582	100	66.5	73.5	-56	1148	620	398	682	ZS44/ZS56	148/110	/	31.6	/	/	/	/	130	/	45	740	170			
S	380	443	594	100	66.5	73.5	-56	1160	620	410	697	ZS44/ZS56	148/110	/	31.6	/	/	/	/	130	/	45	740	170			
M	420	443	610	105	66.5	73.5	-56	1176	624	425	713	ZS44/ZS56	148/110	/	31.6	/	/	/	/	130	/	45	740	170			
HYBRIDE LANAO 4 AL 29																											
XS	360	443	582	100	66.5	73.5	-56	1148	620	398	690	ZS44/ZS56	148/110	/	31.6	/	/	/	/	130	/	45	740	170			
S	380	443	594	100	66.5	73.5	-56	1160	620	410	705	ZS44/ZS56	148/110	/	31.6	/	/	/	/	130	/	45	740	170			
M	420	443	610	105	66.5	73.5	-56	1176	624	425	721	ZS44/ZS56	148/110	/	31.6	/	/	/	/	130	/	45	740	170			
HYBRIDE LANAO 2 AL 29																											
S	380	459	592	100	68	74	-60	1155	623	413	686	ZS44/ZS56	142/100	/	31.6	/	/	/	/	120	/	45	740	170			
M	420	459	608	105	68	74	-60	1171	628	428	699	ZS44/ZS56	142/100	/	31.6	/	/	/	/	120	/	45	740	170			
HYBRIDE TERU 7, 5 AL WOMAN 27.5																											
XS	400	465	560	110	70	74	-40	1090	590	380	673	ZS44/ZS56	135/100	/	31.6	/	/	/	/	120	/	55	740	170			
S	420	465	575	120	70	74	-40	1105	598	393	673	ZS44/ZS56	135/100	/	31.6	/	/	/	/	120	/	55	740	170			
M	460	465	585	130	70	74	-40	1115	608	400	705	ZS44/ZS56	135/100	/	31.6	/	/	/	/	120	/	55	740	170			
HYBRIDE TERU 2 AL WOMAN 27.5																											
XS	400	465	560	110	70	74	-40	1090	590	380	673	ZS44/ZS56	135/100	/	31.6	/	/	/	/	120	/	60	720	170			
S	420	465	575	120	70	74	-40	1105	598	393	673	ZS44/ZS56	135/100	/	31.6	/	/	/	/	120	/	75	720	170			
M	460	465	585	130	70	74	-40	1115	608	400	705	ZS44/ZS56	135/100	/	31.6	/	/	/	/	120	/	90	720	170			

// WOMEN / HYBRIDES / LANES

	STL	CSL	TTL	HTL	HTA	STA	BB	WB	ST	RE	SOH																